



VR-3200

Wide-Area 3D Measurement System Head

**[Discontinued model]**

This model has been discontinued.

Compliance with the certification standard is ensured as of the time of shipment from our company.

Recommended Replaceable Products

- Wide-Area 3D Measurement System Head
VR-5200

To contact us:

1-888-539-3623

SPECIFICATIONS

Model		VR-3200		
Type		Head		
Applicable controller		VR-3000K		
Field-of-view	Wide-field mode	Magnification on a 15" monitor 12x	Horizontal	24.0 mm 0.94"
			Vertical	18.0 mm 0.71"
		Magnification on a 15" monitor 25x	Horizontal	12.0 mm 0.47"
			Vertical	9.0 mm 0.35"
		Magnification on a 15" monitor 38x	Horizontal	8.0 mm 0.31"
			Vertical	6.0 mm 0.24"
		Magnification on a 15" monitor 50x	Horizontal	
			Vertical	4.5 mm 0.18"
	High magnification mode	Magnification on a 15" monitor 40x	Horizontal	7.6 mm 0.30"
			Vertical	5.7 mm 0.22"
		Magnification on a 15" monitor 80x	Horizontal	3.8 mm 0.15"
			Vertical	2.9 mm 0.11"
Magnification on a 15" monitor 120x	Horizontal	2.5 mm 0.10"		
	Vertical	1.9 mm 0.07"		
Magnification on a 15" monitor 160x	Horizontal			
	Vertical	1.4 mm 0.06"		
Zoom		1x to 4x		
Measurable height		Wide-field mode: 10 mm 0.39" (± 5 mm ± 0.20 ") High magnification mode: 1 mm 0.04" (± 0.5 mm ± 0.02 ") ¹		
Display resolution		0.1 μm^2		
Repeatability (σ)	Height measurement	0.5 μm^3		
	Width measurement	Wide-field mode: 1 μm , High magnification mode: 0.5 μm^3		
Measurement accuracy	Height measurement	± 3 μm^3		
	Width measurement	Wide-field mode: ± 5 μm , High magnification mode: ± 2 μm^3		
Stitching function		Full automatic (XY stage automatic control + auto focus) measurement ⁴ Auto adjustment, Auto template analysis ⁴		
Stage	XY stroke	184 × 88 mm 7.24" × 3.46" (motorized)		
	Z stroke	90 mm 3.54"(electric)		
	Rotation	$\pm 180^\circ$ (sample rotating stage)		
	Tilt	$\pm 30^\circ$ or more		
Working distance		75 mm 2.95"		
Image receiving element		4 megapixel monochrome CMOS		
Transmitter lens		Double telecentric lens x2		
Receiver lens		Double telecentric lens		
Light sources	Observation light source	LED ring light (red, green, blue)		
	Measurement light source	White LED		
Image size		1024 x 768 pixels, 2048 x 1536 pixels		
Data processing		Dedicated PC specified by KEYENCE (OS: Windows 7) ⁵		
Rating	Power voltage	100 to 240 VAC ± 10 %, 50/60 Hz		

	Power consumption	150 VA
Environmental resistance	Ambient temperature	+15 to +30 °C 59 to 86 °F
	Relative humidity	35 to 80 % RH (No condensation)
Weight		28.0 kg

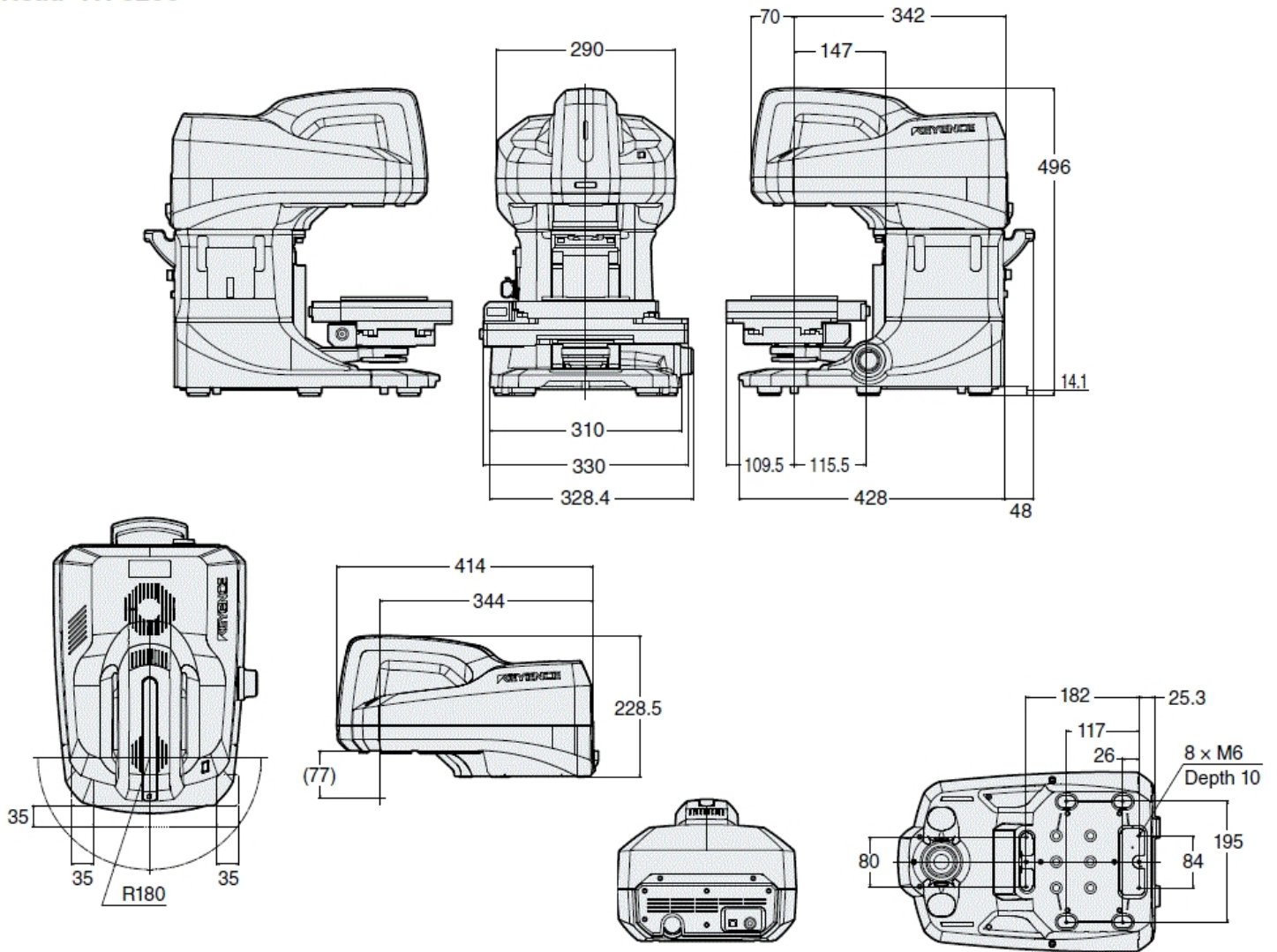
¹ Low range ± 5 mm 0.20^{*} and high range ± 0.5 mm ± 0.02 ^{*} around the focal point position.
² Height measurement resolution.
³ Value obtained using KEYENCE's specified standard gauge with measurement in KEYENCE's specified measurement mode (ambient temperature: 23 \pm 1°C 73.4 \pm 1.8°F).
⁴ The stitching module (VR-H2J) is required.
⁵ Windows 7 Professional and Ultimate.

Dimensions

* Download CAD file or product manual for larger image/text and more detail.

vr_3200_side_01_dimension.gif

Head VR-3200



Unit: mm